



CORPORATE OFFICE

51 S. 2nd Street, Hamilton, IL 62341
Ph. 217-847-3324 Toll Free 1-888-922-1293

Chico, CA Branch
530-893-0921
1-877-332-3268

Sioux City, IA Branch
712-255-3232
1-877-732-3268

Albion, MI Branch
517-629-2860
1-877-932-3268

Williamsport, PA Branch
570-980-9831
1-877-532-3268

High Springs, FL Branch
386-454-0237
1-877-832-3268

Fresno, CA Branch
559-495-0230
1-877-432-3268

Paris, TX Branch
903-784-6145
1-877-632-3268

Watertown, WI Branch
920-261-5363
1-877-232-3268

Chatham, VA Branch
434-432-8461
1-800-220-8325

Frankfort, KY Branch
502-848-0000
1-888-932-3268

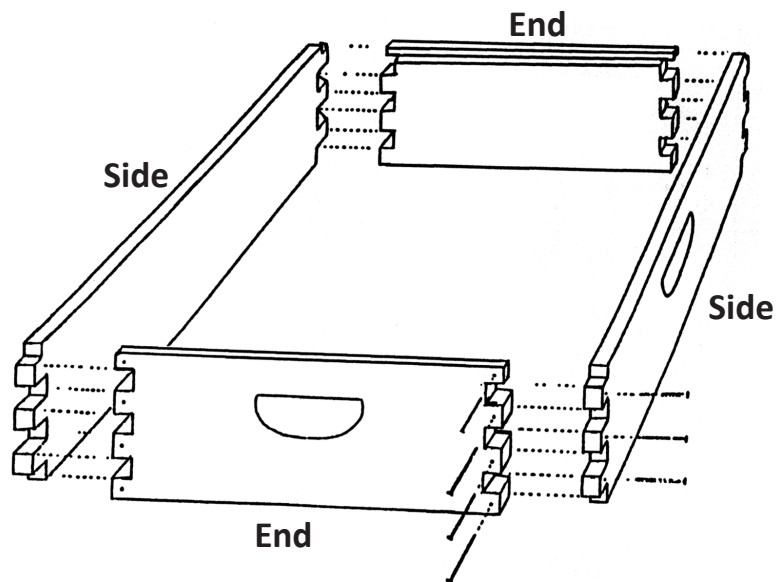
ASSEMBLY INSTRUCTIONS FOR HOBBY KIT #3 B38301

Note: Separate and identify parts before assembling. Nail sizes may vary due to availability.

Super/Hive Body

Use One 4D nail and six 7D nails in each corner. (See figure 3 for assembling super/hive body)

Figure 3



Frame and Foundation Assembly

- 2 – End Bar
- 1 – Top Bar
- 1 – Bottom Bar
- 1 - Plasticell Foundation
- 8 – 1¼" Nails

1. Assemble Frame using two 1¼" nails in each corner.
2. Insert Plasticell Foundation into slot in Bottom Bar.
3. Slightly bend Plasticell as you slide it into the GTB.

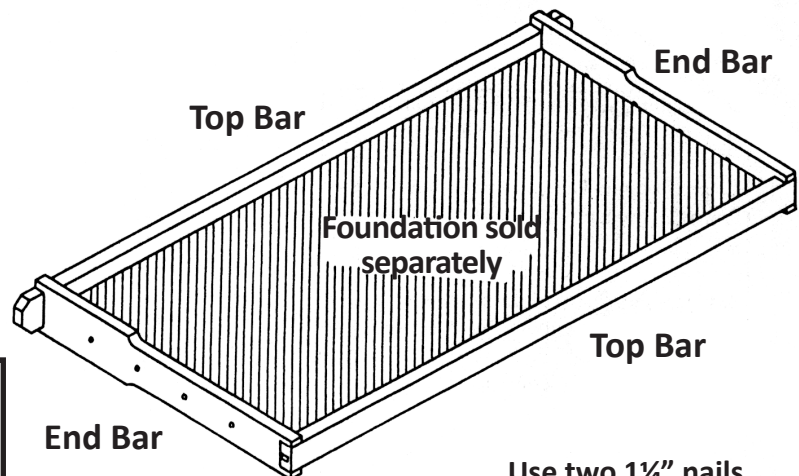


Figure 4

Use two 1¼" nails in each corner